

# INLGB02LPRIRWA

## 2MP ANPR Network Bullet Camera w/IR, SD Slot

### Optic Lens

- Starlight optical sensor and integrated IR illuminator produce clear images in night environments and reduce light pollution.
- 4 LED IR illumination beads provide up to 50m illumination.
- 2MP industrial-grade sensor delivers 1920 x 1080 images.
- Motorized zoom lens enables flexible focal length adjustment and easy installation.
- Automatic gain control, white balance, and WDR for various light

### Functions

- Built-in vehicle & license plate recognition algorithm can recognize standard license plates of multiple countries.
- Supports capturing vehicle head only.
- Supports allowlist and blocklist configuration.
- Supports vehicle access control when connected to a barrier.
- Supports Micro SD cards of up to 128GB.
- Supports ANR, the camera can automatically store video to its SD card in case of network disconnection.
- Supports audio acquisition and intercom

\*Design and specifications are subjects to change without notice.



# NDAA Compliant



# INLGB02LPRI RWA

## 2MP ANPR Network Bullet Camera w/IR, SD Slot

## Product Specifications

Camera	
Image Sensor	1/2.8" CMOS, 2 megapixel
Minimum Illumination	0.001lux (F1.6)
Electronic Speed Shutter	Auto/Manual, range: 1/25 to 1/100000 s
Focal length	4.7 to 47mm, motorized zoom
Image	
Image collection format	1080P@25 (default), 1080P@30, 1080P@50, 1080P@60
Resolution	Main stream: 1080P (default), 720P, D1 Sub stream: 720P (default), D1, 2CIF, CIF Third stream: D1 (default), 2CIF, CIF
Frame rate	60, 50, 30, 25 (default), 22, 20, 18, 16, 15, 12.5, 10, 8, 6, 5, 4, 3, 2, 1
Video Compression	H.265 / H.264
Regions of Interest	Up to 8 regions
Video OSD	Supports 8 overlay areas and allows contents including date, time, date&time, zoom ratio, custom contents
Image OSD	Supports 8 overlay areas and allows contents including time, license plate number, device ID, camera ID, allowlist, image authentication ID, custom contents (3 items), location
Smart	
Application scenario	Vehicle speed $\leq 30$ km/h, Supports simultaneous application to entry/exit scenes
Vehicle detection mode	Video (default) or inductive loop
Capture vehicle head only	Support
License plate number recognition	Supports recognition of license plates with numbers and letters by default
List configuration	Supports allowlist and blacklist configuration, each list allows 20,000 items Supports import, export, add, and delete operations
Barrier opening policy	Open barrier only for the recognized vehicles, Open barrier for all vehicles, Open barrier only for vehicles on the allowlist, Open barrier for vehicles not on the blacklist, Configurable Boolean output ID
Storage	
Edge storage	Supports ANR with a Micro SD card, up to 128GB
Structure	
Illumination	Built-in integrated illumination module, including 4 IR LEDs, 50m illumination distance, automatic on/off control
Sunshield	Long sunshield
Bracket	3-axis mounting bracket
Junction Box	The camera comes with a junction box for storing tail cable
Interface	
Network interface	1 $\times$ 10M/100M RJ45
RS485	1
Boolean output	1 relay output, withstand voltage: AC 125V/0.3A, DC 30V/1A
Boolean input	2 inputs, supports level/Boolean, with max level up to DC 5V
Audio interface	1 $\times$ audio input, 1 $\times$ audio output
Storage interface	1 $\times$ Micro SD card slot

\*Design and specifications are subjects to change without notice.



# INLGB02LPRI RWA

2MP ANPR Network Bullet Camera  
w/IR, SD Slot

## Product Specifications

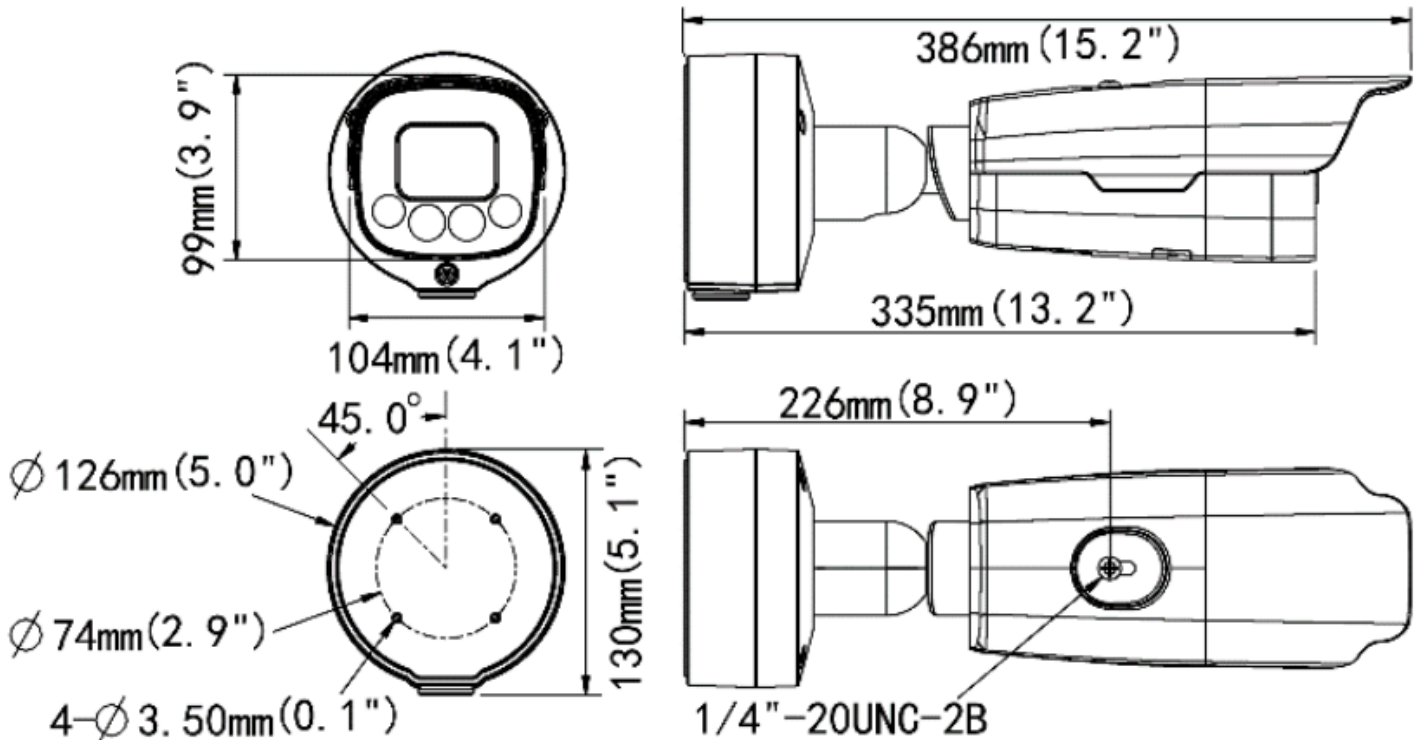
General	
Power supply	DC12V + 25% - 10%
Dimensions	386 x 126 x 130mm
Weight	4.4 lb / 2 kg
Working Environment	-40°C ~ 60°C Humidity: ≤90% RH
Protecton	IP67 IK10



**XLGUP06-C**  
**Pole Mount**



**VUSD128G**  
**Micro SD Card**



\*Design and specifications are subjects to change without notice.

